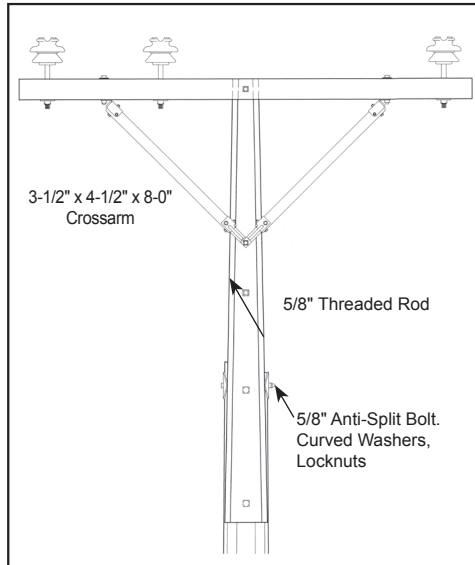


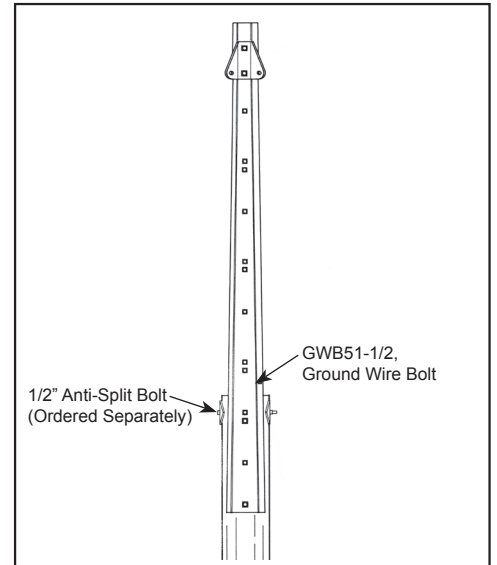
B2511 SERIES POLE TOP EXTENSION/SPLINT



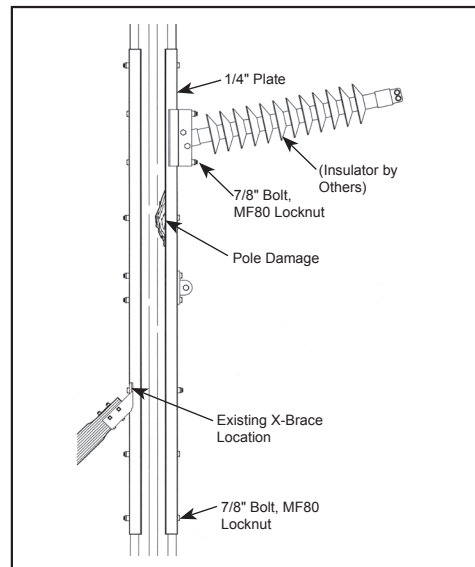
BANDED OR BOLTED
EXTENSION SPLINT SYSTEM



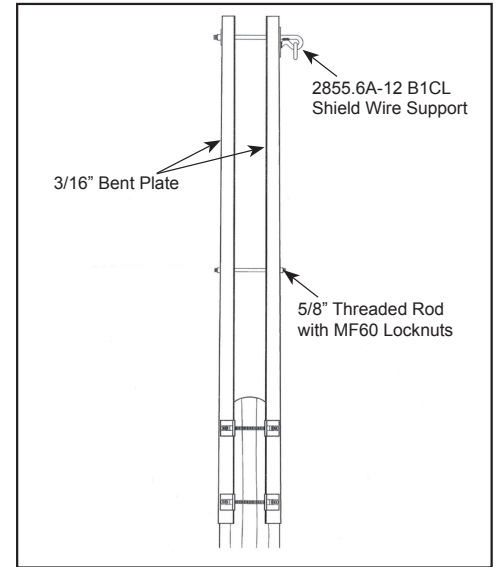
Pole Top Extension
with Crossarm



Dead End Pole Top Extension
with Guying



Pole Splint Example



Banded Extension

Hughes Brothers pole top extension and splint system can be used for extending pole tops for additional clearance, repairing damaged pole tops, or splinting damaged poles.

Contact Hughes Brothers Engineering Department for proper sizing and application consulting.

YOUR AREA SALES REP
FOR HUGHES BROTHERS IS:

